

# DERBY ELEPHANT FEET

## FURNITURE RAISERS

Part No: 6070, 6074, 6070/BK, 6074/BK, 60701, 60741

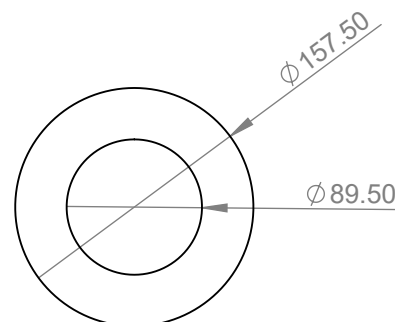
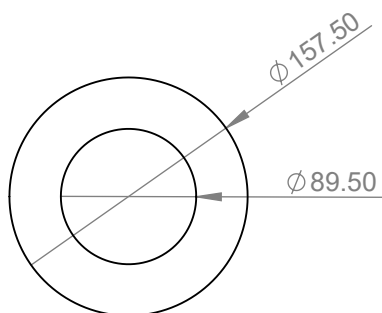


GORDON  
ELLIS  
& CO

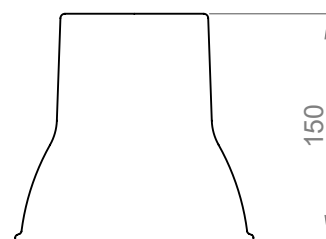
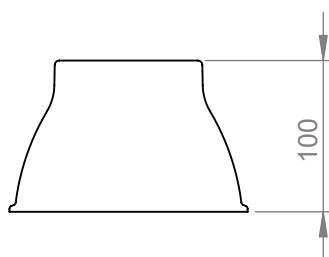
### PRODUCT DRAWING



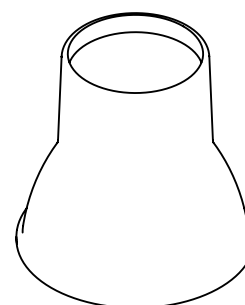
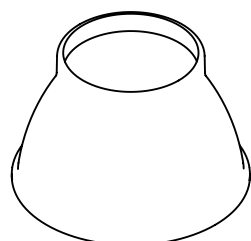
TOP



FRONT



ISOMETRIC



### TECHNICAL SPECIFICATIONS



380 kg  
840 lbs

MATERIAL(S): PP



CONSULT INSTRUCTIONS FOR USE



Gordon Ellis & Co. Trent Lane, Castle Donington, Derby. DE74 2AT. England

View our entire range online at: [GordonEllisHealthcare.co.uk](http://GordonEllisHealthcare.co.uk)