

SERENITY RTS

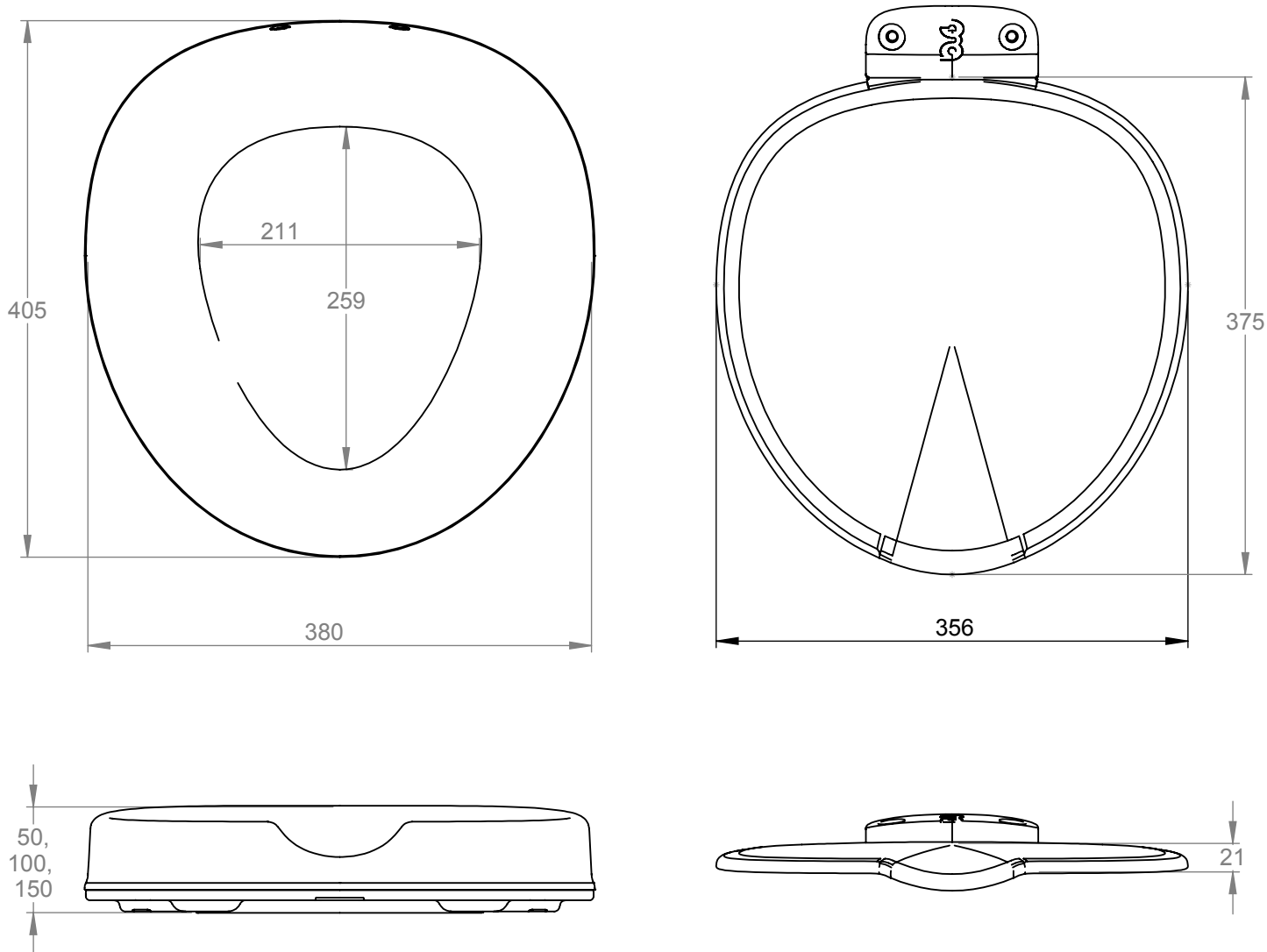
SEAT AND LID

Part No: 64602, 64604, 64606, 64612, 64614, 64616, 64622/AL, 64624/AL, 64626/AL, 64620



GORDON
ELLIS
& CO

PRODUCT DRAWING



TECHNICAL SPECIFICATIONS



220 kg
485 lbs

MATERIAL(S): PP



CONSULT INSTRUCTIONS FOR USE



Gordon Ellis & Co. Trent Lane, Castle Donington, Derby. DE74 2AT. England

View our entire range online at: GordonEllisHealthcare.co.uk