



GRIP ON RAISERS

K100 K200 K300

Welcome to your new Gordon Ellis product.
We hope that it proves a useful aid in your daily life.



EN ANY SERIOUS ACCIDENT OCCURRING THROUGH USE SHOULD BE REPORTED TO THE EC REP (EU CUSTOMERS) OR THE MANUFACTURER (UK & NON-EU CUSTOMERS) - CONTACT DETAILS OVER LEAF



SEE REVERSE FOR FITTING INSTRUCTIONS
AVAILABLE IN THE FOLLOWING LANGUAGES:
EN



MAXIMUM USER WEIGHT
PER SET OF FOUR

Your **GRIP ON RAISERS** were specifically developed by our UK Design Team with the intention of compensating for an injury, or overcoming a temporary or permanent disability. Hopefully making daily living that little bit easier.



K100

MINIMUM LEG DIAMETER: 1.9 CM
MAXIMUM LEG DIAMETER: 3.2 CM



K200

MINIMUM LEG DIAMETER: 3.2 CM
MAXIMUM LEG DIAMETER: 4.5 CM



K300

MINIMUM LEG DIAMETER: 4.3 CM
MAXIMUM LEG DIAMETER: 5.8 CM



INSPIRED BY YOUR NEEDS



GORDON ELLIS & CO.
TRENT LANE
CASTLE DONINGTON
DERBY. ENGLAND DE74 2AT



AUTHORISED REPRESENTATIVE
ADVENA LTD, TOWER BUSINESS CENTRE, 2ND FLOOR, TOWER STREET, SWATAR, BKR 4013 MALTA



MD | IFU-REF | LP/K100/1220-1 | PART REF | LP/K100 + LP/K200 + LP/K300

VIEW THE ENTIRE RANGE ONLINE AT
GORDONELLISHEALTHCARE.CO.UK

[gordonellis.healthcare](https://www.facebook.com/gordonellis.healthcare)
 @EllisHealthcare

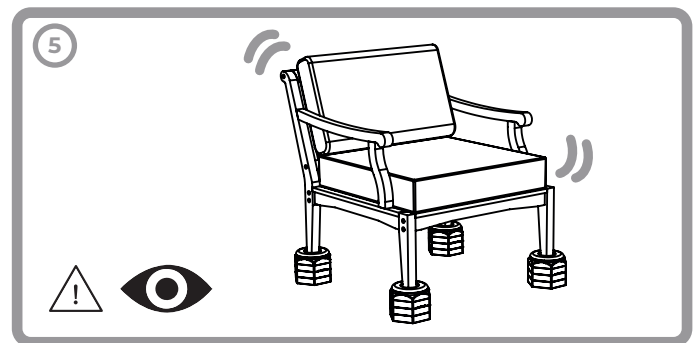
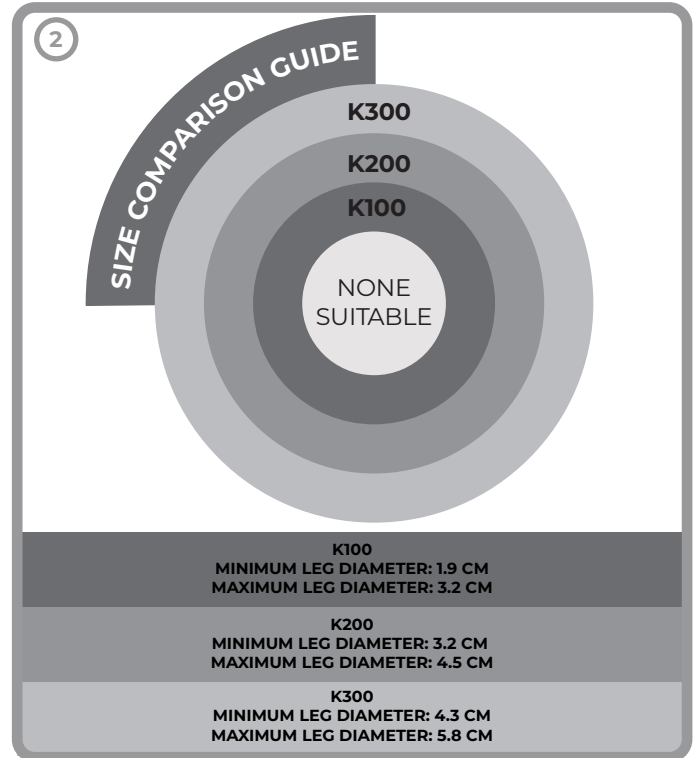
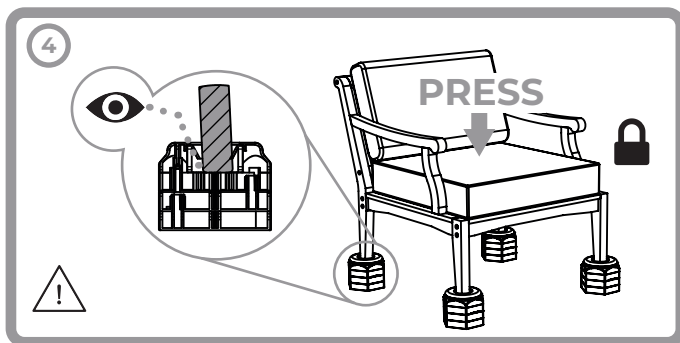
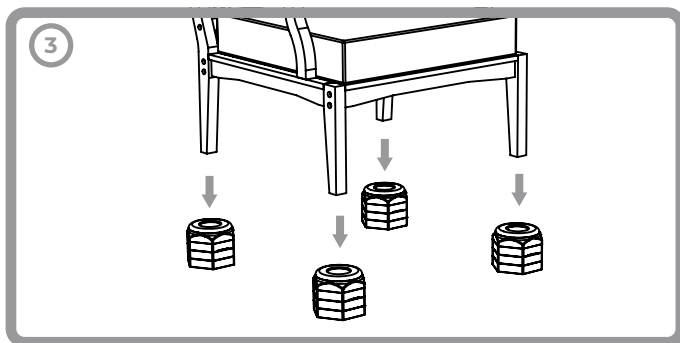
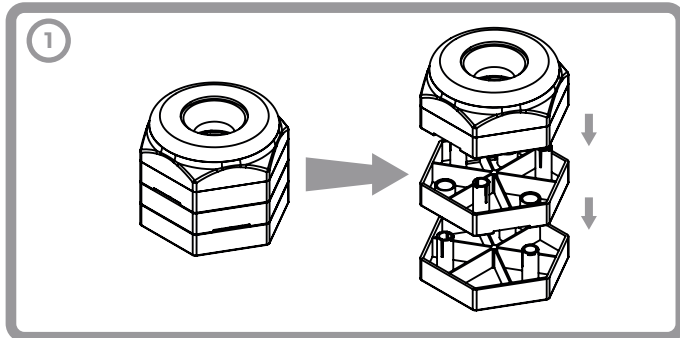


INSTRUCTIONS FOR USE

i EN GRIP-ON RAISERS ARE VERY VERSATILE, BEING USED TO RAISE CHAIRS, BEDS AND TABLES USING A UNIQUE "DOUGHNUT" RING. THIS GRIPS FIRMLY ON TO LEGS OR CASTORS PROVIDING A SOLID STABLE SUPPORT WITHOUT DAMAGING FURNITURE. THE LARGE K300 GRIP-ON RAISER CAN ACCOMMODATE THE LARGEST CASTORS, GRIPPING THEM VERY TIGHTLY AND SECURELY. THE K100 GRIP-ON RAISERS WORK EQUALLY WELL WITH THE SMALL ONE INCH SIZE CASTORS FOUND ON MOST DIVAN BEDS.

1. GRIP ON RAISERS ARE SUPPLIED FULLY ASSEMBLED TO GIVE A 7.5 CM. RASIE SPECIFIC HEIGHT ADJUSTMENT CAN BE SET BY REMOVING ONE OR BOTH OF THE 2.5 CM BASE SECTIONS. THE HEIGHT MUST BE EQUAL FOR ALL LEGS BEING RAISED.
2. ENSURE THE CORRECT SIZE RAISER IS BEING USED FOR THE FURNITURE LEG/ CASTOR BEING RAISED. A TIGHT GRIP MUST BE OBTAINED. REFER TO THE DIMENSIONS AND SIZE GUIDE BELOW.
3. PLACE GRIP ON RAISERS UNDER ALL LEGS OF THE FURNITURE BEING RAISED.
4. LEGS/ CASTORS MUST REST ON THE INTERNAL BASE OF THE GRIP. PRESS DOWN ON THE FURNITURE TO LOCK THE GRIP ON RAISER IN PLACE.
5. CHECK FOR STABILITY BEFORE EACH USE.

! IT IS THE RESPONSIBILITY OF THE USER/ OWNER TO CARRY OUT AN INITIAL AND REGULAR LOCAL RISK ASSESSMENTS. DESIGNED FOR STATIC USE ONLY. TAKE CARE TO AVOID SUDDEN OR UNDUE MOVEMENT WHEN USING THIS EQUIPMENT. TAKE CARE LIFTING HEAVY FURNITURE WHEN FITTING THE GRIP ON RAISER. ONCE FITTED, AVOID MOVING THE FURNITURE. DO NOT USE ON UNEVEN SURFACES. GRIP ON RAISERS ARE NOT RECOMMENDED FOR LONG LEGGED CHAIRS.



i CLEANING INSTRUCTIONS

WIPE DOWN WITH A NON-ABRASIVE CLOTH AND SOAPY WATER



PH 5 - 9

VIEW THE ENTIRE RANGE ONLINE AT
GORDONELLISHEALTHCARE.CO.UK

f gordonellis.healthcare
t @EllisHealthcare

