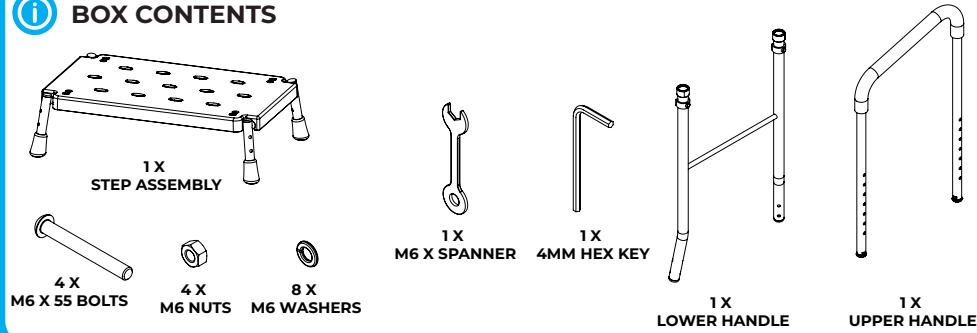


ASSEMBLY INSTRUCTIONS

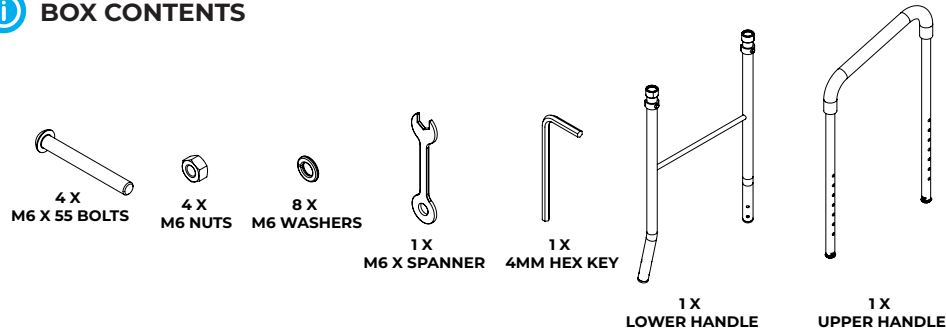
A STEP WITH ONE HANDLE - 62930

i BOX CONTENTS

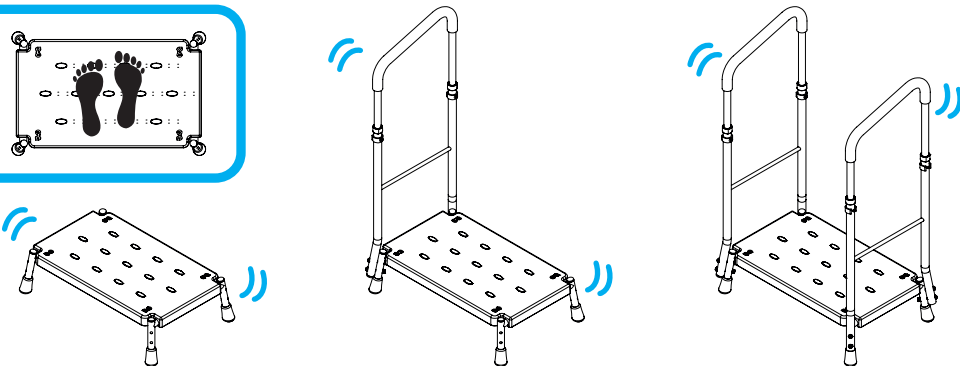


B HANDLE PACK (PURCHASED SEPARATELY) - 62935 REQUIRED FOR TWO HANDLE USE

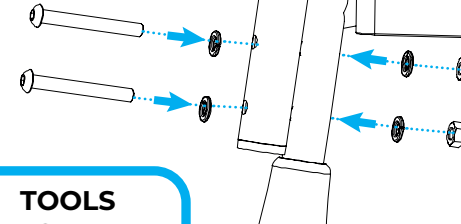
i BOX CONTENTS



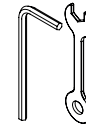
! **!** ALWAYS CHECK STABILITY BEFORE USE



FITTING THE HANDLE



TOOLS REQUIRED



REPEAT FOR ALL NECESSARY SIDES

ADJUSTING THE HANDLE HEIGHT

