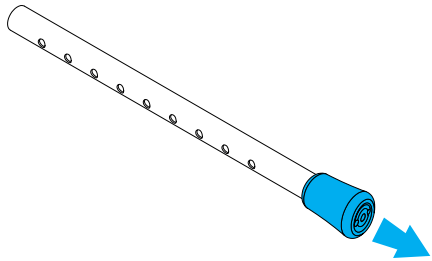




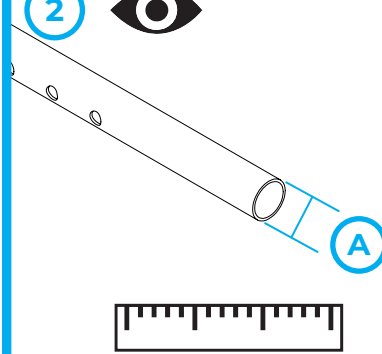
# FITTING INSTRUCTIONS

## SELECTING THE CORRECT SIZE

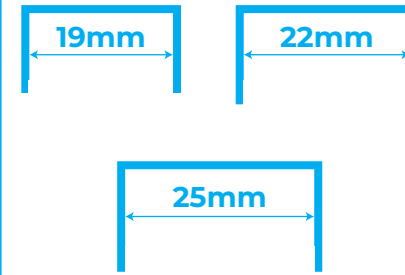
1



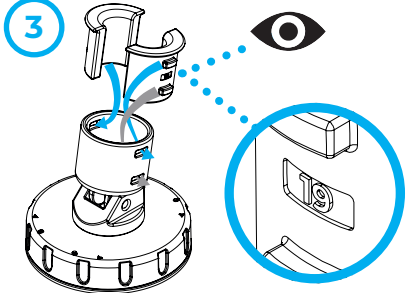
2



## TUBE MEASURING GUIDE



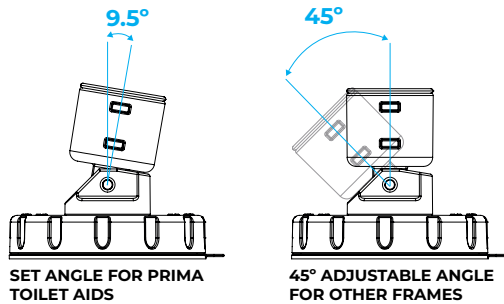
3



IF A = 19MM USE 19MM INSERT  
IF A = 22MM USE 22MM INSERT  
IF A = 25MM USE 25MM INSERT

## FITTING TO A FRAME

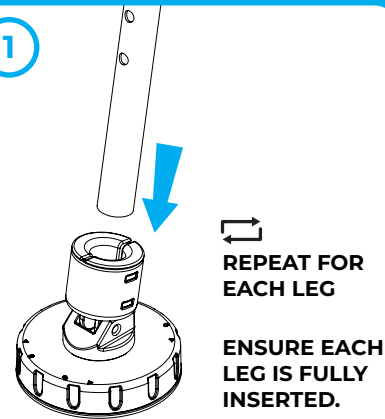
### ANGLE OPTIONS



SET ANGLE FOR PRIMA TOILET AIDS

45° ADJUSTABLE ANGLE FOR OTHER FRAMES

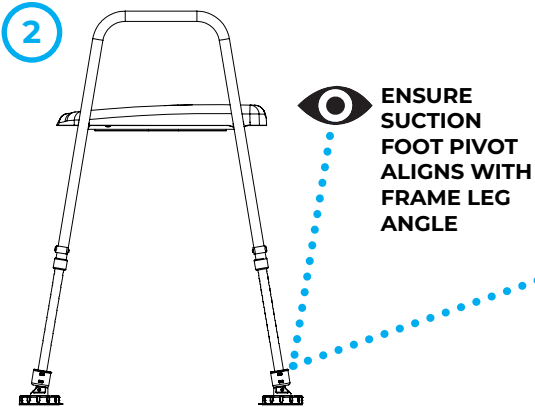
1



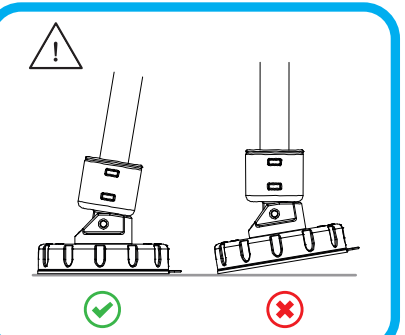
REPEAT FOR EACH LEG

ENSURE EACH LEG IS FULLY INSERTED.

2



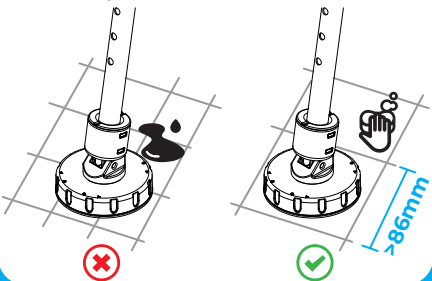
ENSURE SUCTION FOOT PIVOT ALIGNS WITH FRAME LEG ANGLE



## ACTIVATING THE SUCTION



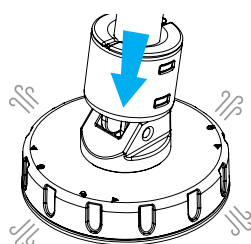
ENSURE SURFACES ARE FLAT, SMOOTH, CLEAN AND DRY



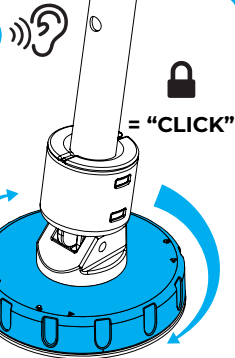
2

A

PRESS DOWN CENTRALLY

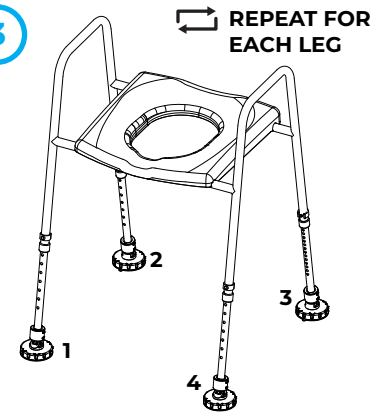


B



CLOCKWISE = LOCK  
ANTI-CLOCKWISE = RELEASE

3



REPEAT FOR EACH LEG

4

CHECK STABILITY

