

# PRIMA® PIVOT

## GRAB RAIL SYSTEM

Part No: 6701-6706, 6716-6721, 6733, 6734

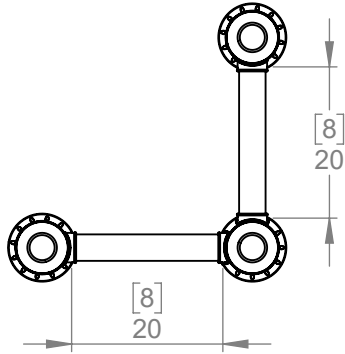


GORDON  
ELLIS  
& CO

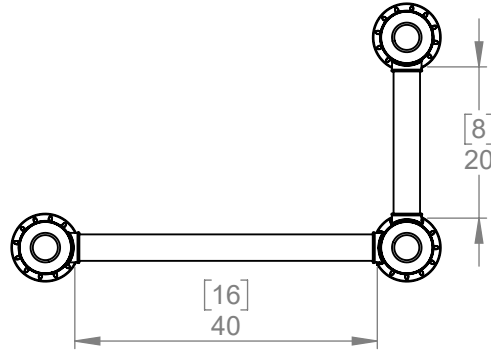
### PRODUCT DRAWING



6701 WHITE  
6716 ALUMINIUM

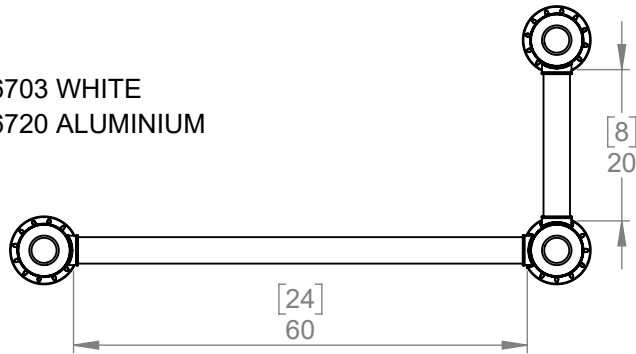


6702 WHITE  
6719 ALUMINIUM

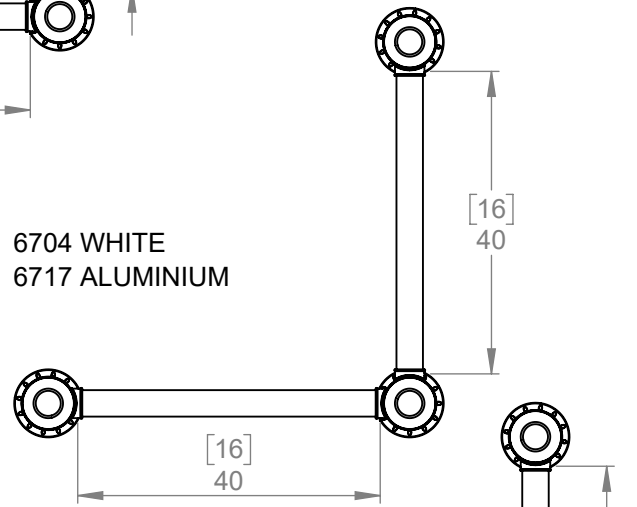


[INCH]  
CM

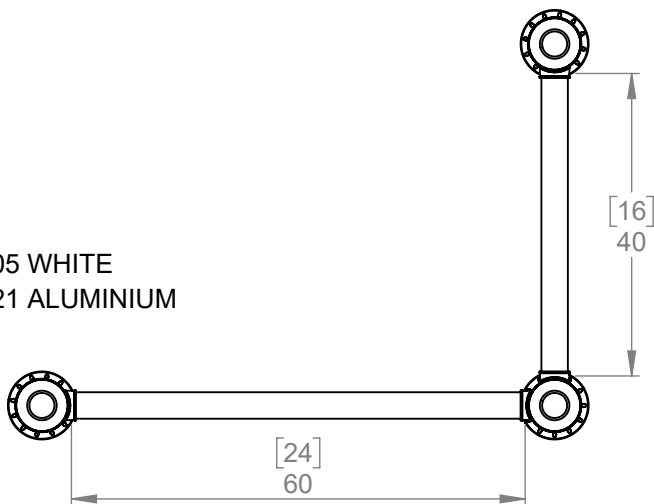
6703 WHITE  
6720 ALUMINIUM



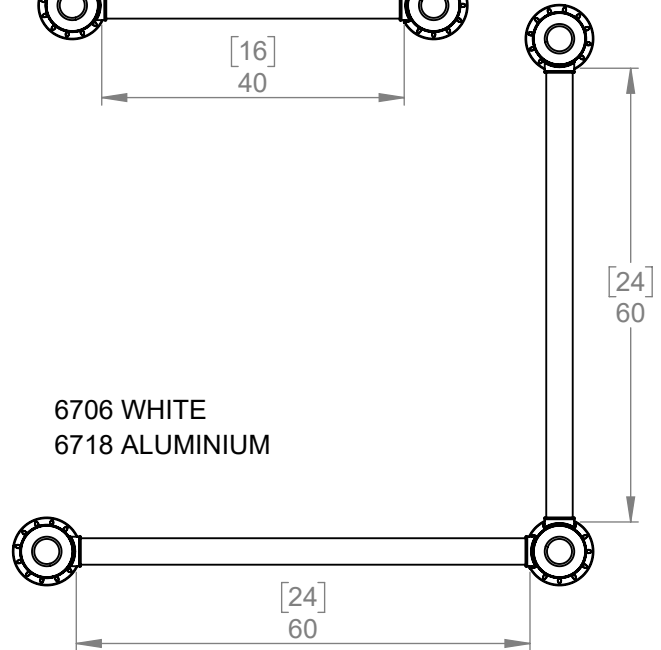
6704 WHITE  
6717 ALUMINIUM



6705 WHITE  
6721 ALUMINIUM



6706 WHITE  
6718 ALUMINIUM



### TECHNICAL SPECIFICATIONS

160 kg  
350 lbs

MATERIAL(S): PP, ALUMINIUM, NYLON 66, STAINLESS STEEL

CONSULT INSTRUCTIONS FOR USE



Gordon Ellis & Co. Trent Lane, Castle Donington, Derby. DE74 2AT. England

View our entire range online at: [GordonEllisHealthcare.co.uk](http://GordonEllisHealthcare.co.uk)

# PRIMA® PIVOT

## GRAB RAIL SYSTEM

Part No: 6701-6706, 6716-6721, 6733, 6734

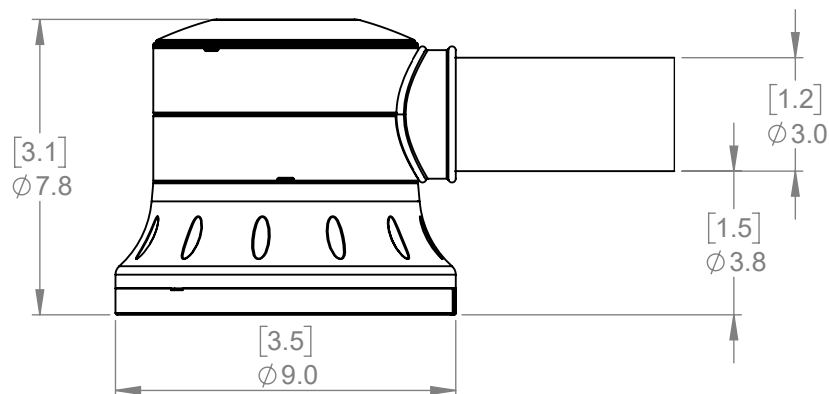


GORDON  
ELLIS  
& CO

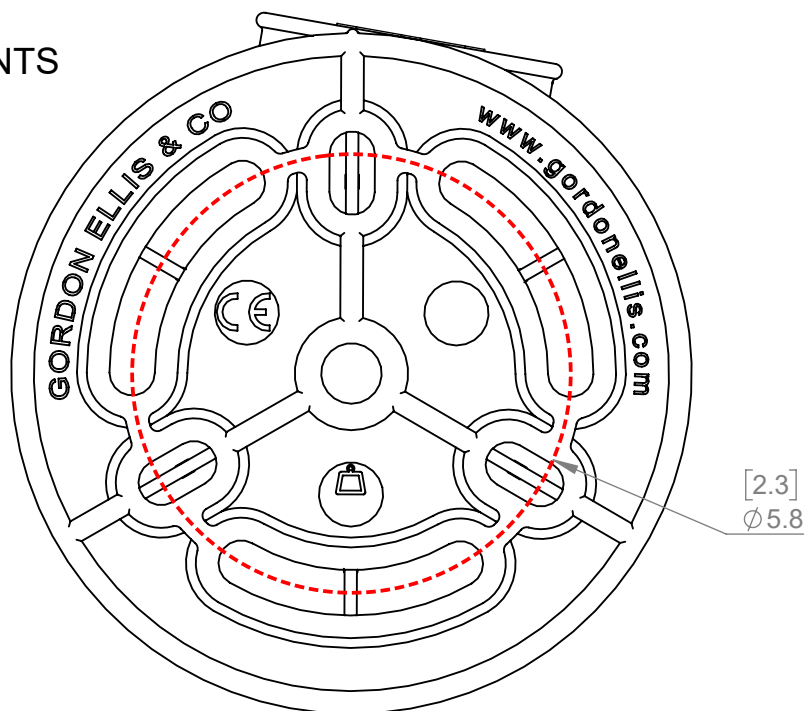
### PRODUCT DRAWING



[INCH]  
CM



### FIXING POINTS



### TECHNICAL SPECIFICATIONS



MATERIAL(S): PP, ALUMINIUM, NYLON 66, STAINLESS STEEL



CONSULT INSTRUCTIONS FOR USE

 Gordon Ellis & Co. Trent Lane, Castle Donington, Derby. DE74 2AT. England

View our entire range online at: [GordonEllisHealthcare.co.uk](http://GordonEllisHealthcare.co.uk)