

TIMBERRY KURVE

COMMODE CHAIR

Part No: 5655I TO 56560

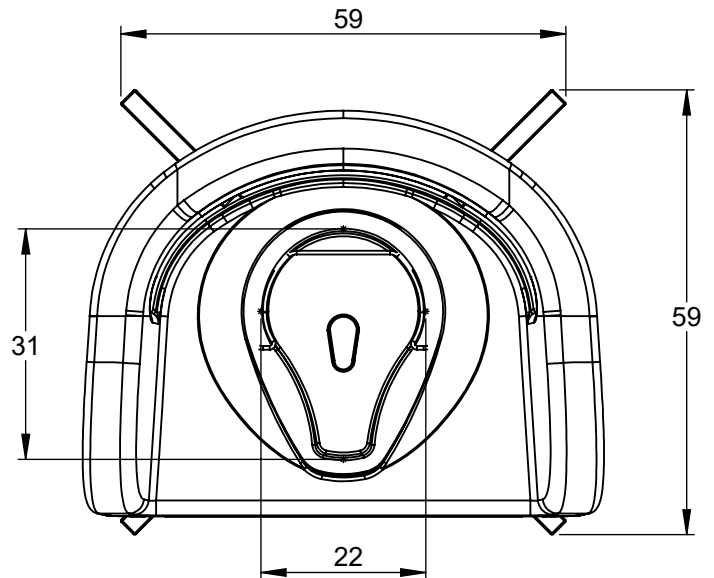
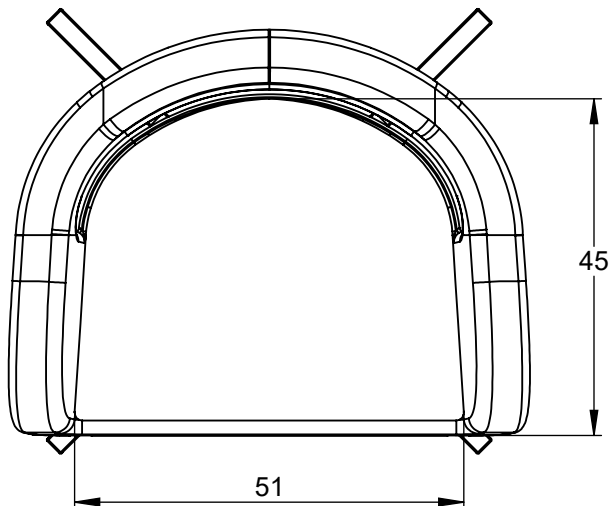
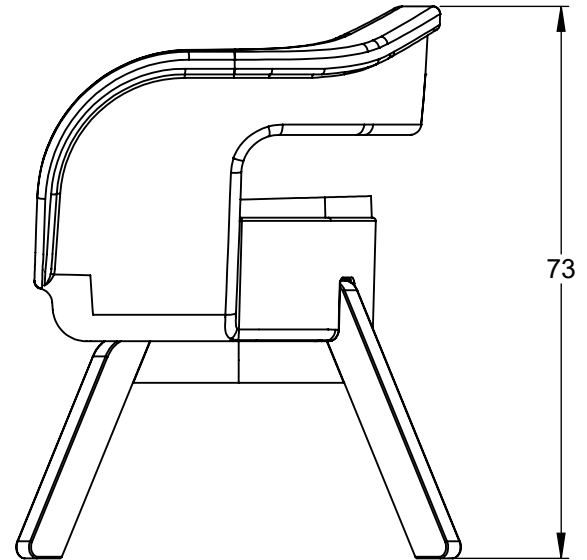
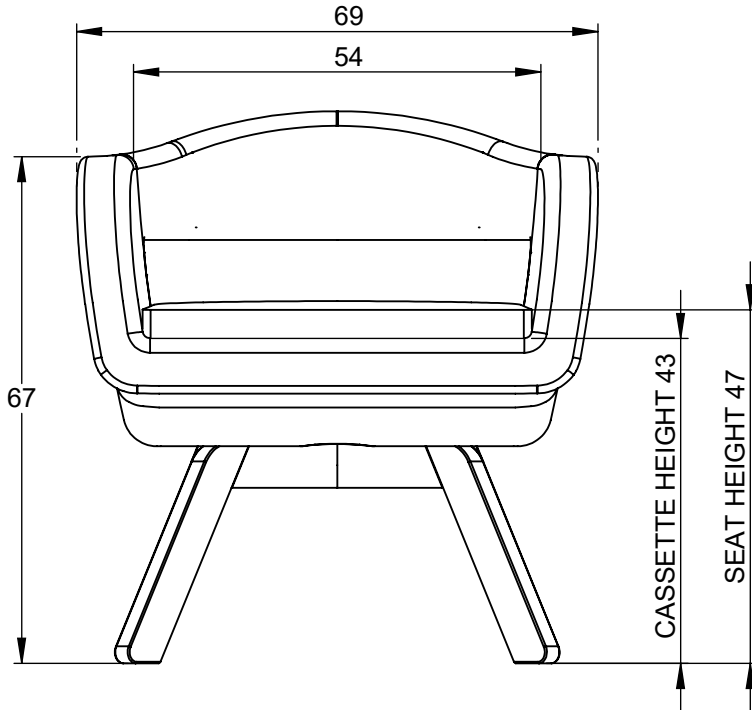


GORDON
ELLIS
& CO

PRODUCT DRAWING



DIMENSIONS IN CM



TECHNICAL SPECIFICATIONS



MATERIAL(S): MDPE, BEECH

CONSULT INSTRUCTIONS FOR USE



Gordon Ellis & Co. Trent Lane, Castle Donington, Derby. DE74 2AT. England

View our entire range online at: GordonEllisHealthcare.co.uk